

71980-YXXLF

WHEN REQUIRED, ADD SUFFIX LETTER "LF"  
INDICATES THE PRODUCT IS RoHS  
COMPATIBLE, SEE NOTE 12

LATCHING	TOTAL NUMBER OF POSITIONS	
0= WITHOUT LATCH	06	26
1= STANDARD LATCH	08	34
2= LOW PROFILE LATCH	10	40
	14	44
	16	50
	18	60
	20	64

NOTES:

- 1 - HOUSING MAT'L : GLASS FILLED THERMOPLASTIC. UL94V-0 COLOR: BLUE
- 2 - PIN MATERIAL : PHOSPHOR BRONZE
- 3 - 0.76µm GOLD/GXT (PdNi WITH GOLD FLASH) ON CONTACT AREA  
3.81µm TIN-LEAD ON TAIL.  
UNDERPLATE : 1.27µm Ni MIN

WHEN SUFFIX LETTER "LF" IS REQUIRED, 2µm MIN MATTE TIN OVER 1.27µm MIN NICKEL IS PROVIDED INSTEAD OF TIN-LEAD.

- 4 - PRODUCT PACKAGED IN TUBES
- 5 - 40N MIN LATCH RETENTION FORCE AT FIRST EXTRACTION
- 6 - TO DETERMINE DIMENSIONS :  
N = NUMBER OF POSITIONS PER ROW  
EXAMPLE : 8 POS N x 2.54 = 20.32mm
- 7 - NO CENTRAL SLOT ON POSITIONS 6 & 8
- 8 - NO LEFT POLARIZATION ON POSITIONS 06, 08, 10, 14.
- 9 - NO GROOVE ON POSITIONS 06, 08, 10, 14, 30, 34
- 10 - RETENTION LEGS LOCATED IN THE CENTER OF THE CONNECTOR
- 11 - MARKING : XX = YEAR CODE  
YY = WEEK NUMBER
- 12 - RoHS COMPATIBLE PRODUCT SPECIFICATIONS

a - PLATING:

"LF" MEANS THE PRODUCT IS LEAD-FREE, 2µm MINIMUM MATTE TIN OVER 1.27µm MINIMUM NICKEL UNDERPLATE.

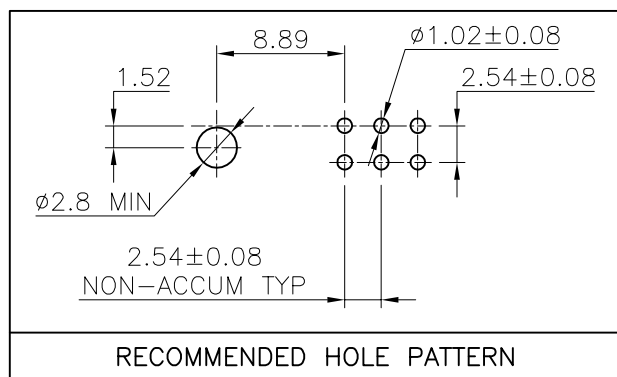
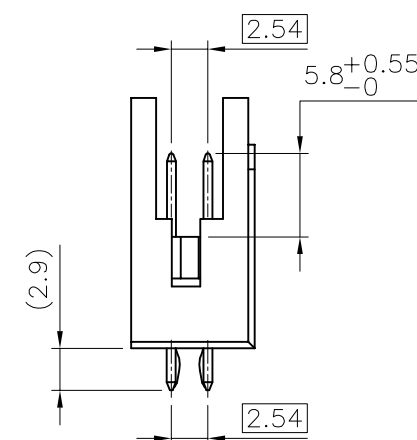
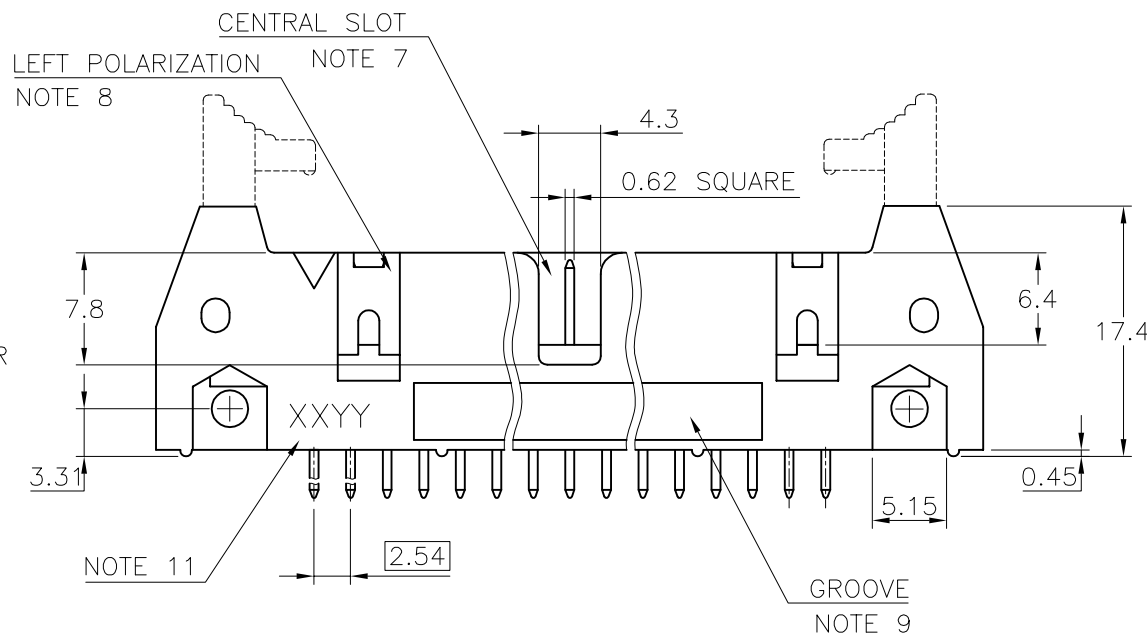
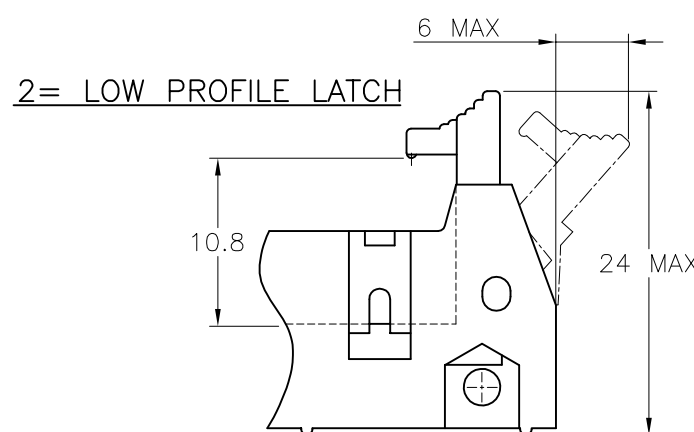
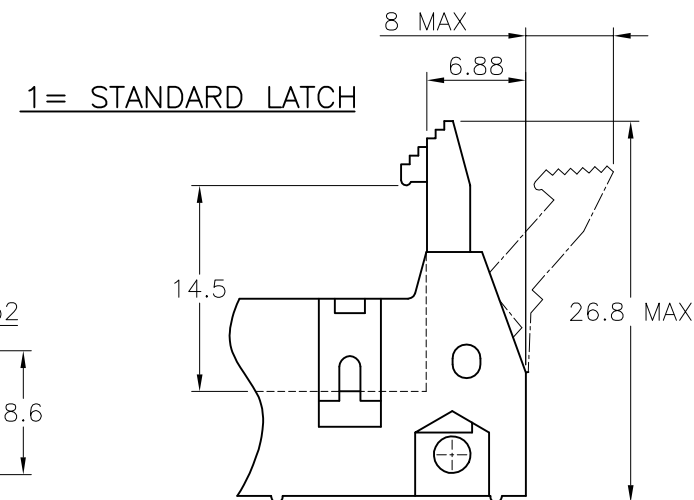
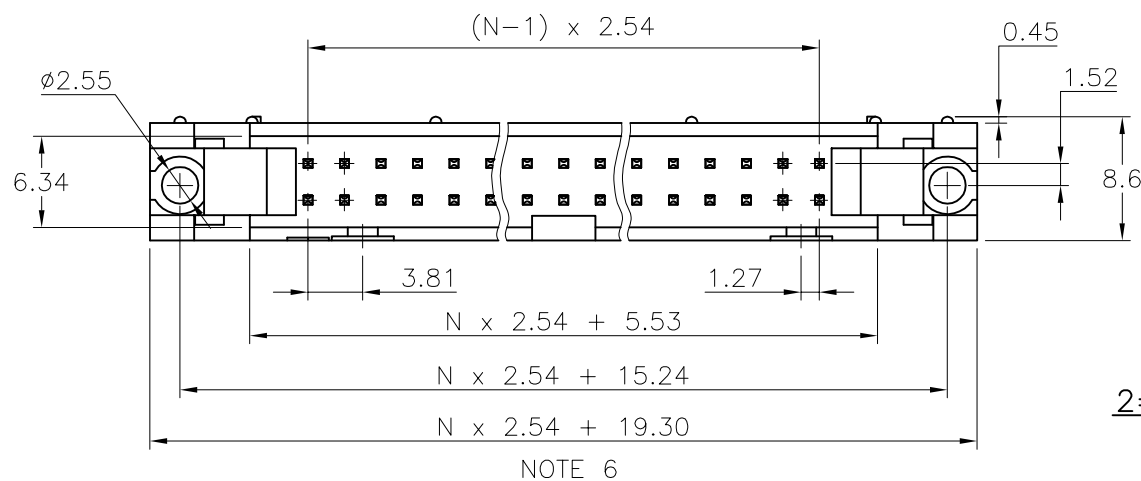
b - MANUFACTURING PROCESS COMPATIBILITY

THE HOUSING WILL WITHSTAND EXPOSURE TO 260°C ±5°C SOLDER BATH TEMPERATURE FOR 5 SECONDS IN A WAVE SOLDER APPLICATION WITH A 1.6mm MIN THICK CIRCUIT BOARD.

c - LABELING:

MEETS PACKAGING SPECS AS PER GS-14-920

d - LEGAL STATEMENT: SEE GS-22-008



mat'l. code				surface	tolerance	projection	product family
SEE NOTES				ISO 1302	ISO 406	ISO 1101	QUICKIE
ltr	ecn no	dr	date	tolerances unless otherwise specified		mm	title
B	F10367	JMC	91.02.14	angles	.X ±0.3		
C	F04-0389	LMU	04.09.21	linear	.XX ±0.13	scale 2:1	
D	F06-0229	LMU	06.07.18		.XXX ±0.05		FCJ
E	F07-0195	LMU	07.05.25	dr	MULIN.L	04.09.21	
F	F08-0146	YOY	08.04.11	enfr	COMPAGNON.J	04.09.21	71980
				chr	JCO	04.12.22	
				appd	JCO	04.12.22	size
sheet index		revision sheet				type	
						CUSTOMER Drawing	